

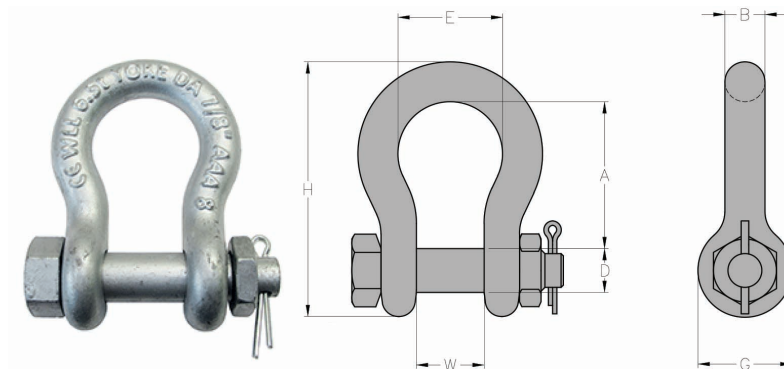
Yoke DA 808 Grade 8 Shackle

DNV Type Approval No. TAS0000241

The DA 808 Grade 8 Shackle meets the following performance requirements:

DNV 2.7-1, DNV 2.7-3, EN 13889, BSEN ISO 10855-2 Portable Offshore Containers, U.S. Fed. Spec. RR-C 271F Type IVA, Grade A, Class 3, ASME B30.26

- Hot dip galvanized
- 20,000 cycle fatigue rated to 1.5 x WLL
- Charpy test of 42 joules (31ft. lbs.) at -40°C
- Safety Pin type



SPECIFICATIONS

Part Code	Size mm	WLL tonnes*	A mm	B mm	D mm	E mm	G mm	H mm	W mm	Mass Kg
DA-808-13	13	2.00	47	13	16	33	30	85	20	0.4
DA-808-16	16	3.25	61	16	19	43	38	106	27	0.7
DA-808-19	19	4.75	72	19	22	50	46	126	33	1.0
DA-808-22	22	6.50	86	22	26	58	53	148	38	1.7
DA-808-26	26	8.50	96	26	28	68	61	166	44	2.4
DA-808-28	28	9.50	111	28	32	74	68	190	46	3.4
DA-808-32	32	12.00	121	32	36	84	76	210	54	4.8
DA-808-36	36	13.50	134	36	38	92	84	232	59	6.5
DA-808-38	38	17.00	146	38	45	99	92	254	60	8.8
DA-808-45	45	25.00	178	47	51	127	106	313	73	17.5
DA-808-50	50	35.00	197	53	57	146	122	347	83	24.2
DA-808-64	64	**85.00	267	66.5	70	184	145	453	105	43.5
DA-808-76	76	**120.00	330	76	82.5	200	165	546	127	81
DA-808-89	89	**150.00	372	92	95.5	229	203	626	133	120
DA-808-100	100	**175.00	368	104	108	254	229	653	140	153

2t to 35t are type approved of DNV 2.7-1. Minimum Ultimate Load is 8 times the Working Load Limit.

**85t to 175t meet all requirements of DNV 2.7-1. Minimum Ultimate Load is 5.4 times the Working Load Limit.

Part Code	Size inch	WLL lbs*	A inch	B inch	D inch	E inch	G inch	H inch	W inch	Mass lbs.
DA-808-13	1/2	4,409	1.85	0.52	0.63	1.30	1.18	3.34	0.79	0.9
DA-808-16	5/8	7,165	2.40	0.63	0.75	1.70	1.50	4.17	1.06	1.5
DA-808-19	3/4	10,471	2.83	0.75	0.87	1.97	1.81	5.04	1.30	2.2
DA-808-22	7/8	14,330	3.39	0.87	1.02	2.28	2.09	5.91	1.50	3.7
DA-808-26	1	18,739	3.78	1.02	1.10	2.68	2.40	6.57	1.73	5.3
DA-808-28	1-1/8	20,943	4.37	1.10	1.26	2.91	2.68	7.52	1.81	7.5
DA-808-32	1-1/4	26,455	4.76	1.26	1.42	3.30	2.99	8.07	2.12	10.6
DA-808-36	1-3/8	29,762	5.28	1.42	1.50	3.62	3.31	9.13	2.32	14.3
DA-808-38	1-1/2	37,478	5.57	1.50	1.77	3.90	3.62	10.00	2.36	19.4
DA-808-45	1-3/4	55,115	7.00	1.85	2.00	5.00	4.17	12.32	2.87	38.5
DA-808-50	2	77,161	7.76	2.09	2.24	5.75	4.80	13.66	3.27	53.2
DA-808-64	2-1/2	**187,393	10.51	2.62	2.76	7.24	5.71	17.83	4.13	95.7
DA-808-76	3	**264,555	12.99	2.99	3.25	7.87	6.50	21.50	5.00	178.2
DA-808-89	3-1/2	**330,693	14.65	3.62	3.76	9.02	7.99	24.65	5.24	264
DA-808-100	4	**385,809	14.49	4.09	4.25	10.00	9.02	25.71	5.51	336.6

2t to 35t are type approved of DNV 2.7-1. Minimum Ultimate Load is 8 times the Working Load Limit.

**85t to 175t meet all requirements of DNV 2.7-1. Minimum Ultimate Load is 5.4 times the Working Load Limit.

The Mount
566 Eutruria Road
Newcastle under Lyme
ST5 0SU